



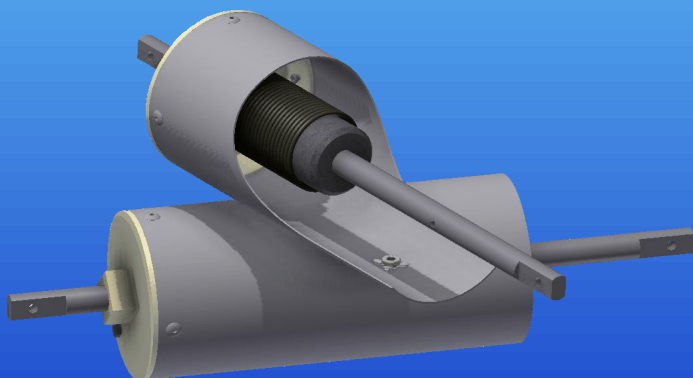
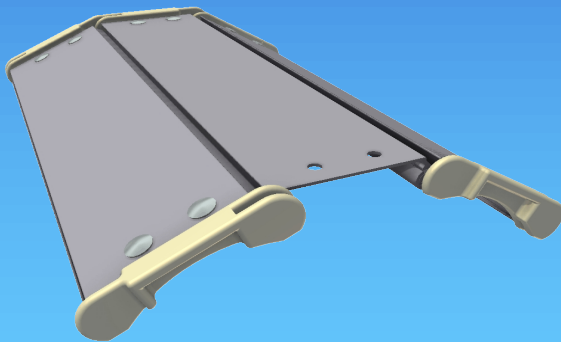
57mm Aluminium Shutters

Over 50 years experience has gone into producing Robinson Shutters which are specifically designed to reduce fitting time to an absolute minimum resulting in lower installation costs.

JR Industries specify only the highest quality components in the manufacture of Robinson shutters to deliver the following benefits:

- Easy operation
- 57mm single-skin slat making the Robinson 57 the lightweight option
- Pre-tensioned, lubricated, efficient operator with simple adjustment
- Available in Mill, Anodised or Powder coated finish

- Ease and speed of assembly
- Total reliability
- Smooth rattle-free operation
- Effectively sealed against ingress of road dirt and water



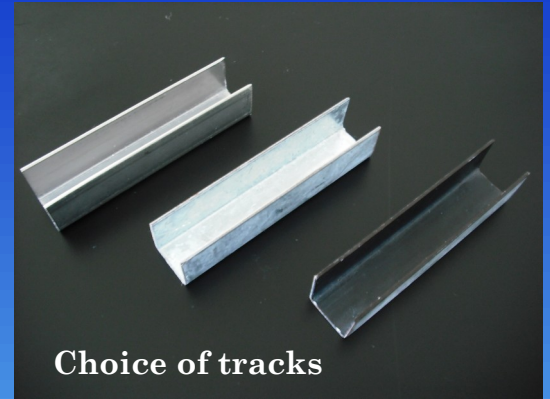
- Combined track and side seal carrier (optional)
- Bottom seal as standard
- Durable interlocking nylon end shoes

Robinson Aluminium shutters

PRODUCT DETAILS AND FEATURES

Robinson 57mm Aluminium Shutter

- Hand built to customer specification with a choice of bottom rails and locks
- Choice of tracks, galvanised, stainless steel or PTFE coated
- Flat profile slat provides best surface for fitting of conspicuity tape or decals
- Flocked side seals if required



Choice of tracks



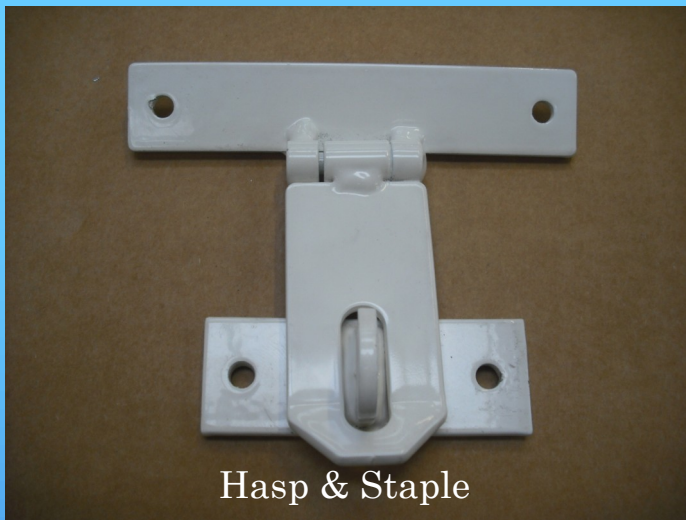
Chrome locking 'L' handle



Lift bar with hook lock

Robinson lock options

- Locking chrome 'T' handle
- Locking chrome 'L' handle
- Lift bar lock
- Twist key lock (Espagnolet)
- Hasp & staple
- Hook lock with escutcheon cover
- Knob locks
- Sliding handle



Hasp & Staple



Twist key lock (Espagnolet)

JR Industries Ltd
Whiting House
Sir Alfred Owen Way
Pontygwindy Industrial Estate
Caerphilly
CF83 3HU



Tel : +44 (0) 2920 857630

Fax : +44 (0) 2920 857633

E-Mail : sales@jrindustries.co.uk

Web : www.jrindustries.co.uk