

IF IN DOUBT ASK

457

HORIZONTAL TRACK

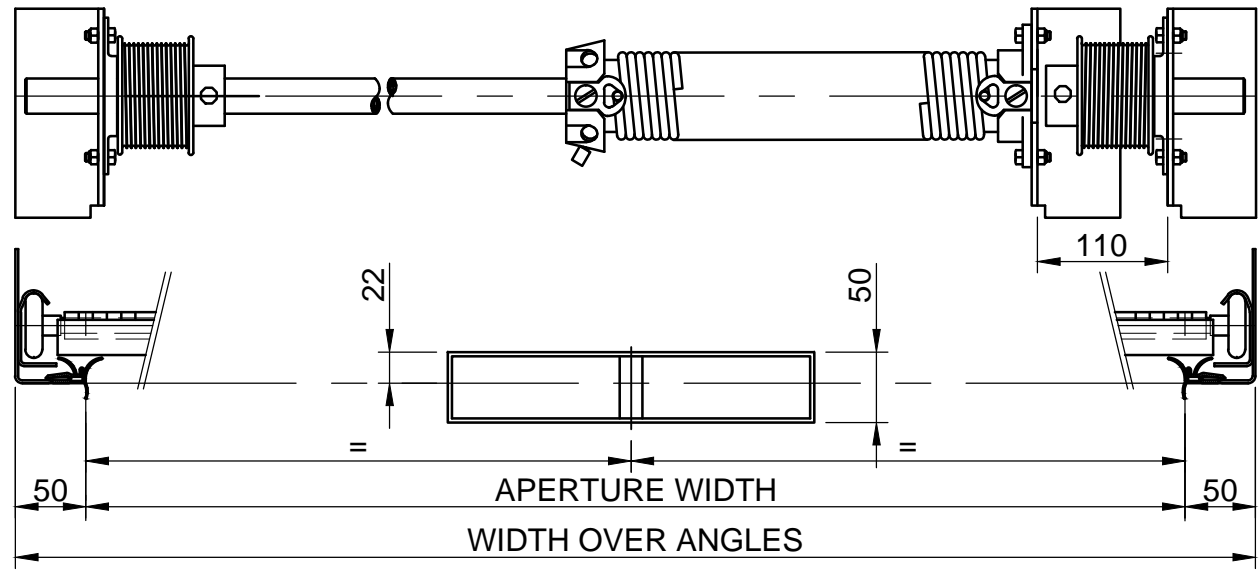
DO NOT SCALE

45

Min 180

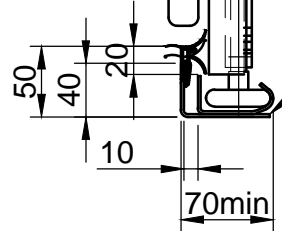
R204

APERTURE HEIGHT



APERTURE WIDTH  
WIDTH OVER ANGLES

JOGGLED MOUNTING  
ANGLE 40 x 63mm



08/10/2010		DRAWING AMENDED	KH		
DATE	ERF No	DESCRIPTION OF CHANGE	CHGE BY	CHECK BY	

**j Industries GmbH**

TITLE: ALU PLUS MANUAL

MATERIAL:

1st USED ON	3rd ANGLE PROJ
DRAWN BY	-
DATE	-
CHECK BY	-
DATE	-
APPROVED BY	-
DATE	-

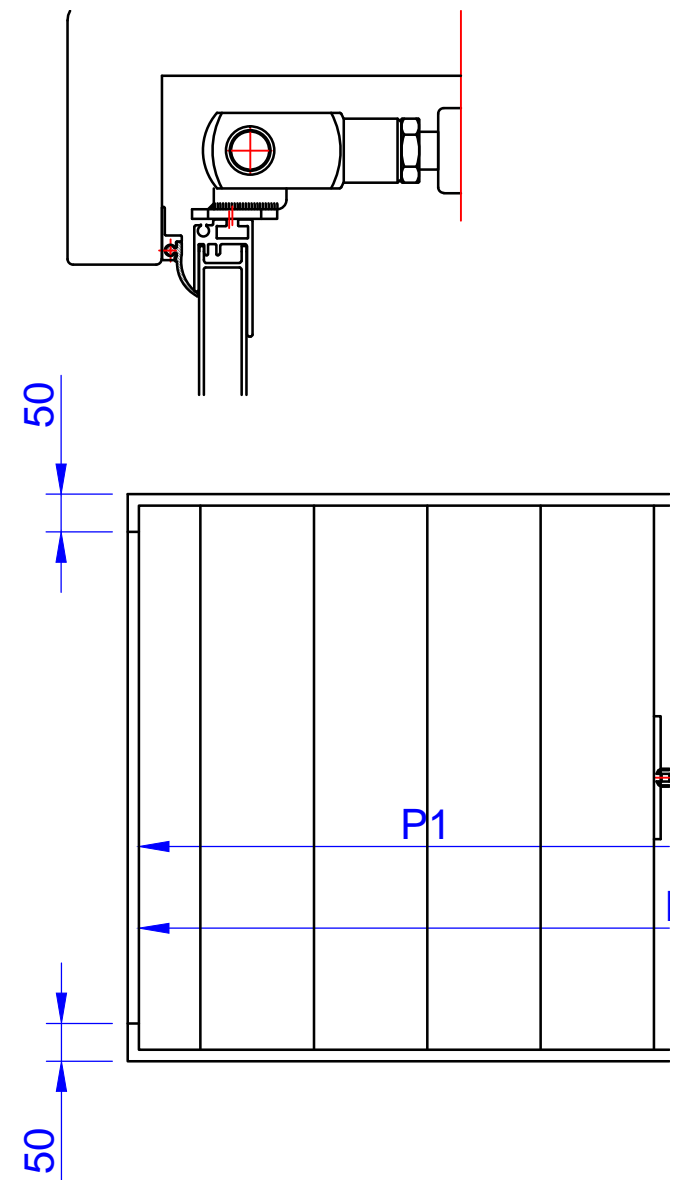
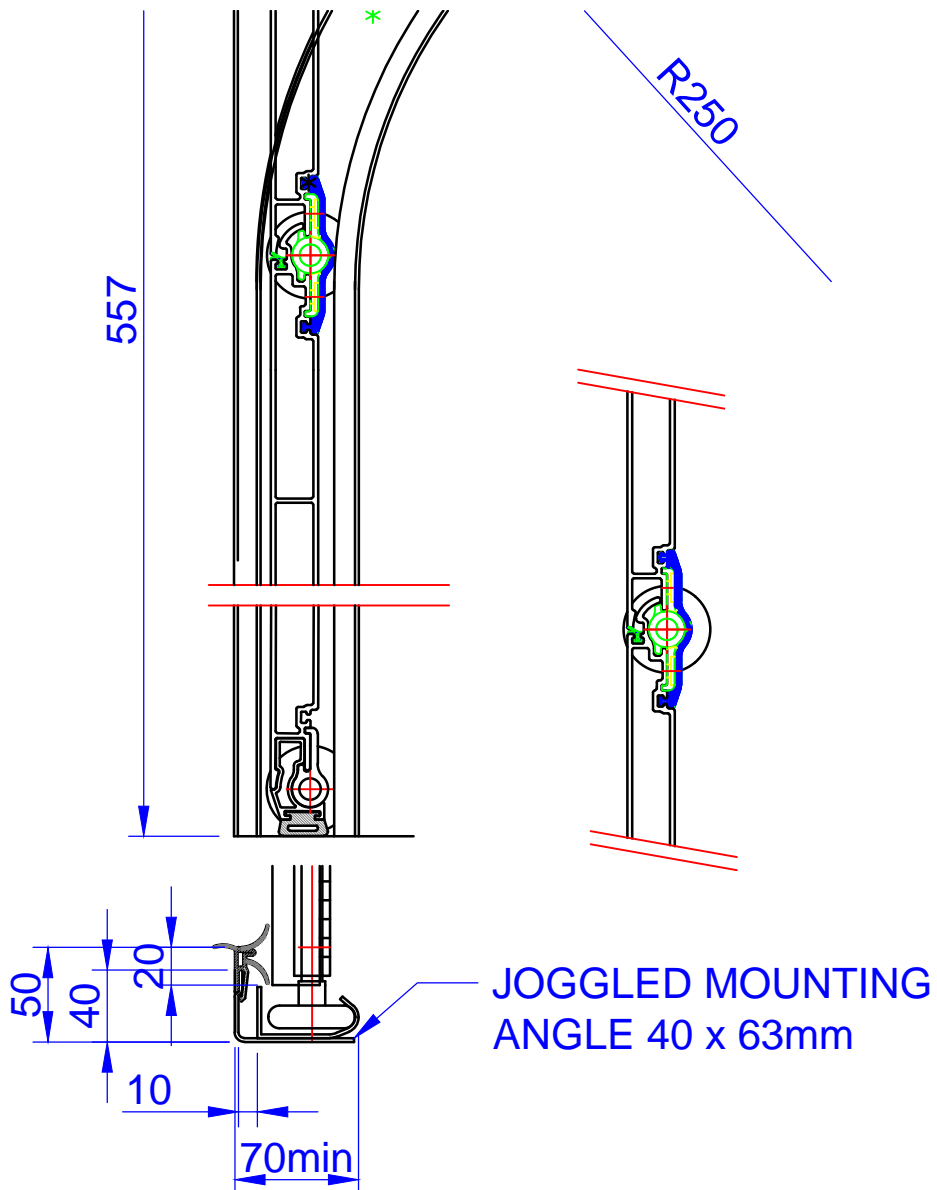
TOLERANCES  
UNLESS OTHERWISE STATED  
DIMS UP TO & INC 2500mm  
xxx ± 0.5  
xx.x ± 0.3  
xx.xx ± 0.1  
DIMS OVER 2500mm  
ALL ± 2.0  
HOLE DIA < 12.0  
+0.25/-0.00  
HOLE DIA > 12.0  
+0.50/-0.00  
ANGULAR +/-1.0 DEG  
REMOVE ALL SHARP EDGES


THIS DRAWING IS THE PROPERTY OF  
J R INDUSTRIES GmbH AND MUST NOT BE  
REPRODUCED OR LOANED WITHOUT WRITTEN PERMISSION

SCALE: 1:4 UNITS: mm

DRAWING No. M\_050041.1 ISSUE: 2

SHEET 1 OF 2



					 <b><i>Industries GmbH</i></b>	1st USED ON
						TITLE
					MATERIAL	
08/10/2010		DRAWING AMENDED		KH		DRAWN BY - DATE -
DATE	ERF No	DESCRIPTION OF CHANGE	CHGE BY	CHECK BY		CHECK BY - DATE -
						APPROVED BY - DATE -