

IF IN DOUBT ASK

457

HORIZONTAL TRACK

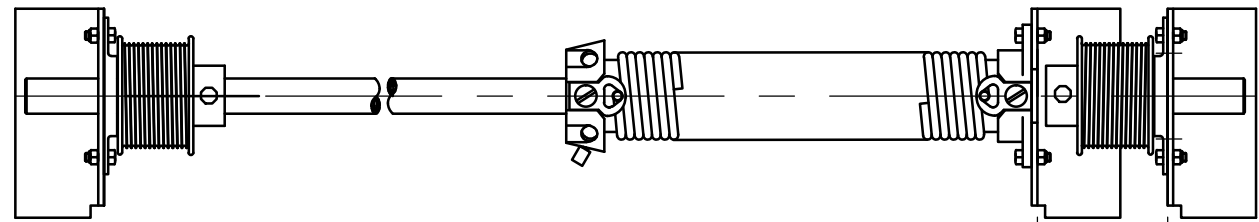
DO NOT SCALE

45

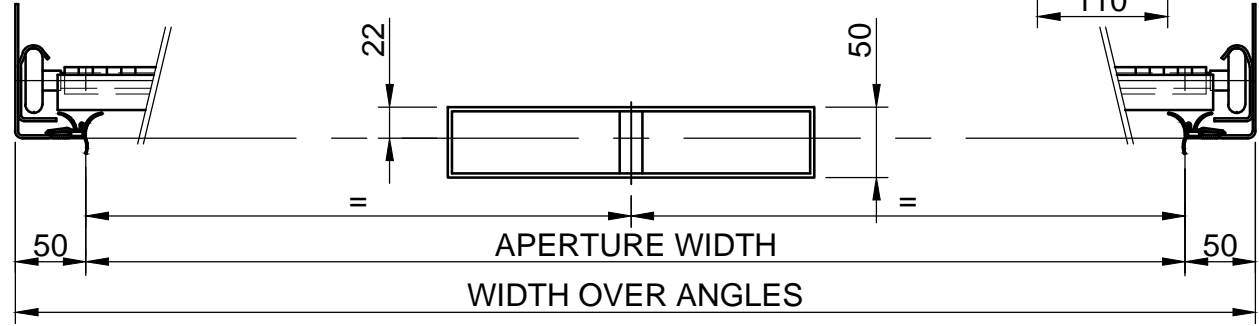
Min 180

R204

APERTURE HEIGHT



110



22

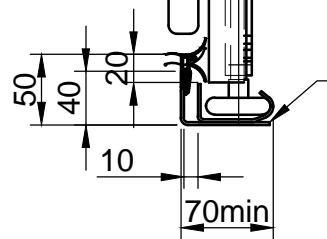
50

APERTURE WIDTH

WIDTH OVER ANGLES

50

50



JOGGLED MOUNTING
ANGLE 40 x 63mm

50
40
20
10

70min

08/10/2010		DRAWING AMENDED	KH		
DATE	ERF No	DESCRIPTION OF CHANGE	CHGE BY	CHECK BY	

j Industries GmbH

TITLE: ALU PLUS MANUAL

MATERIAL:

1st USED ON	3rd ANGLE PROJ
DRAWN BY	
DATE	
CHECK BY	
DATE	
APPROVED BY	
DATE	

TOLERANCES
UNLESS OTHERWISE STATED
DIMS UP TO & INC 2500mm
xxx ± 0.5
xx.x ± 0.3
xx.xx ± 0.1
DIMS OVER 2500mm
ALL ± 2.0
HOLE DIA ≤ 12.0
+0.25/-0.00
HOLE DIA > 12.0
+0.50/-0.00
ANGULAR +/-1.0 DEG
REMOVE ALL SHARP EDGES

THIS DRAWING IS THE PROPERTY OF
J R INDUSTRIES GmbH AND MUST NOT BE
REPRODUCED OR LOANED WITHOUT WRITTEN PERMISSION

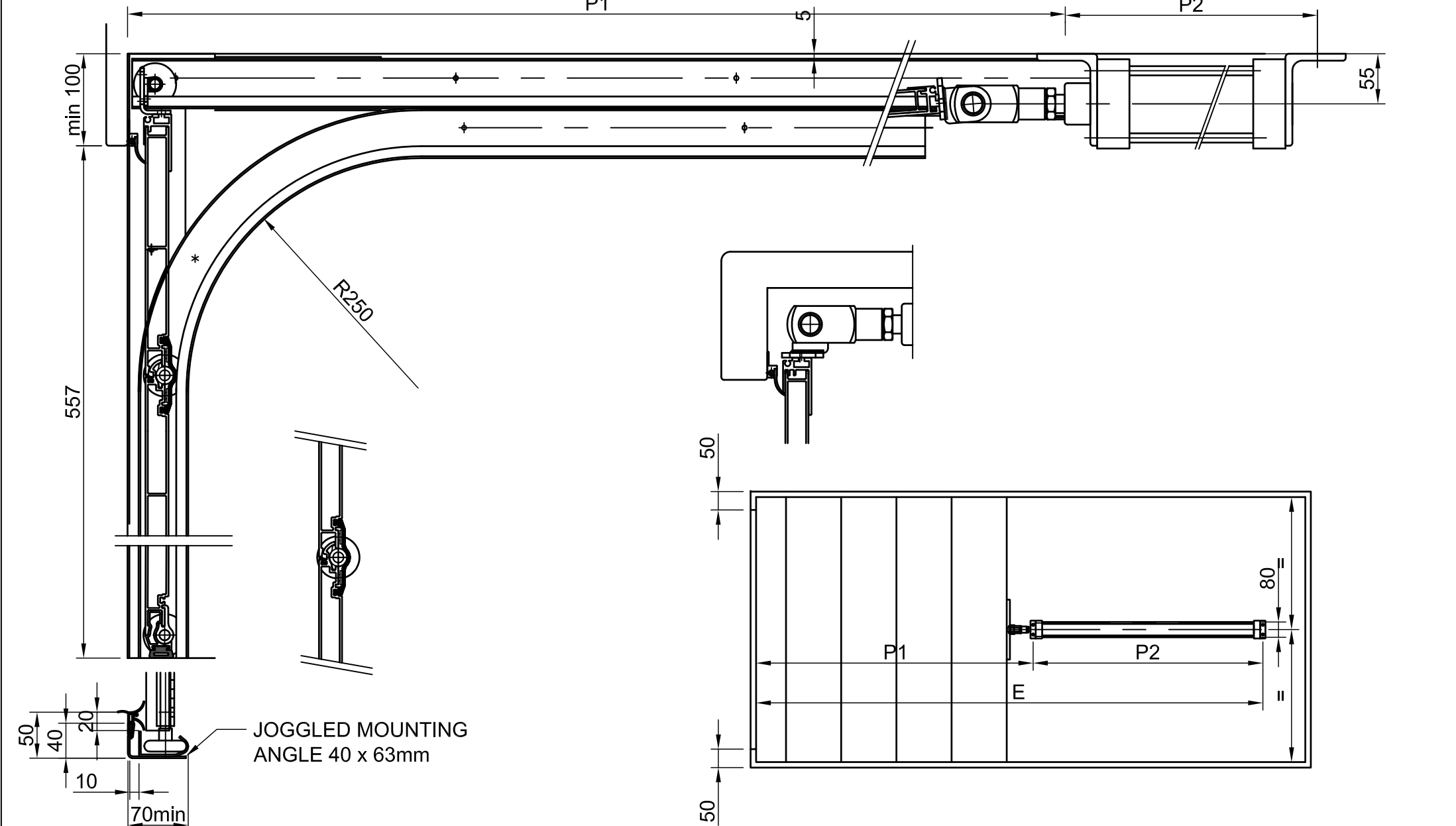
SCALE: 1:4 UNITS: mm

DRAWING No. M_050041.1 ISSUE: 2

SHEET 1 OF 2

IF IN DOUBT ASK

DO NOT SCALE



					1st USED ON	3rd ANGLE PROJ	TOLERANCES UNLESS OTHERWISE STATED DIMS UP TO & INC 2500mm xx.x ± 0.5 xx.x ± 0.3 xx.xx ± 0.1 DIMS OVER 2500mm ALL ± 2.0 HOLE DIA ≤ 12.0 +0.25/-0.00 HOLE DIA > 12.0 +0.50/-0.00 ANGULAR +/-1.0 DEG REMOVE ALL SHARP EDGES	THIS DRAWING IS THE PROPERTY OF J R INDUSTRIES GmbH AND MUST NOT BE REPRODUCED OR LOANED WITHOUT WRITTEN PERMISSION	
					TITLE	DRAWN BY			SCALE:
					DATE	-	1:4	mm	
					CHECK BY	-	DRAWING No.		
08/10/2010		DRAWING AMENDED	KH	MATERIAL	DATE	-	M_050041.2	ISSUE:	
DATE	ERF No	DESCRIPTION OF CHANGE	CHGE BY	CHECK BY	APPROVED BY	-	2		
					DATE	-	SHEET 2 OF 2		