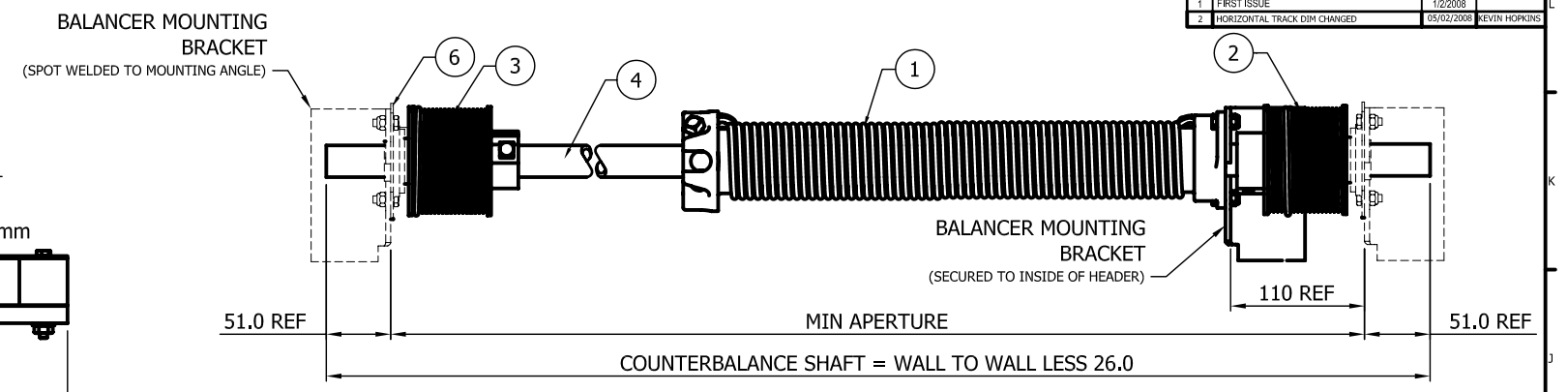
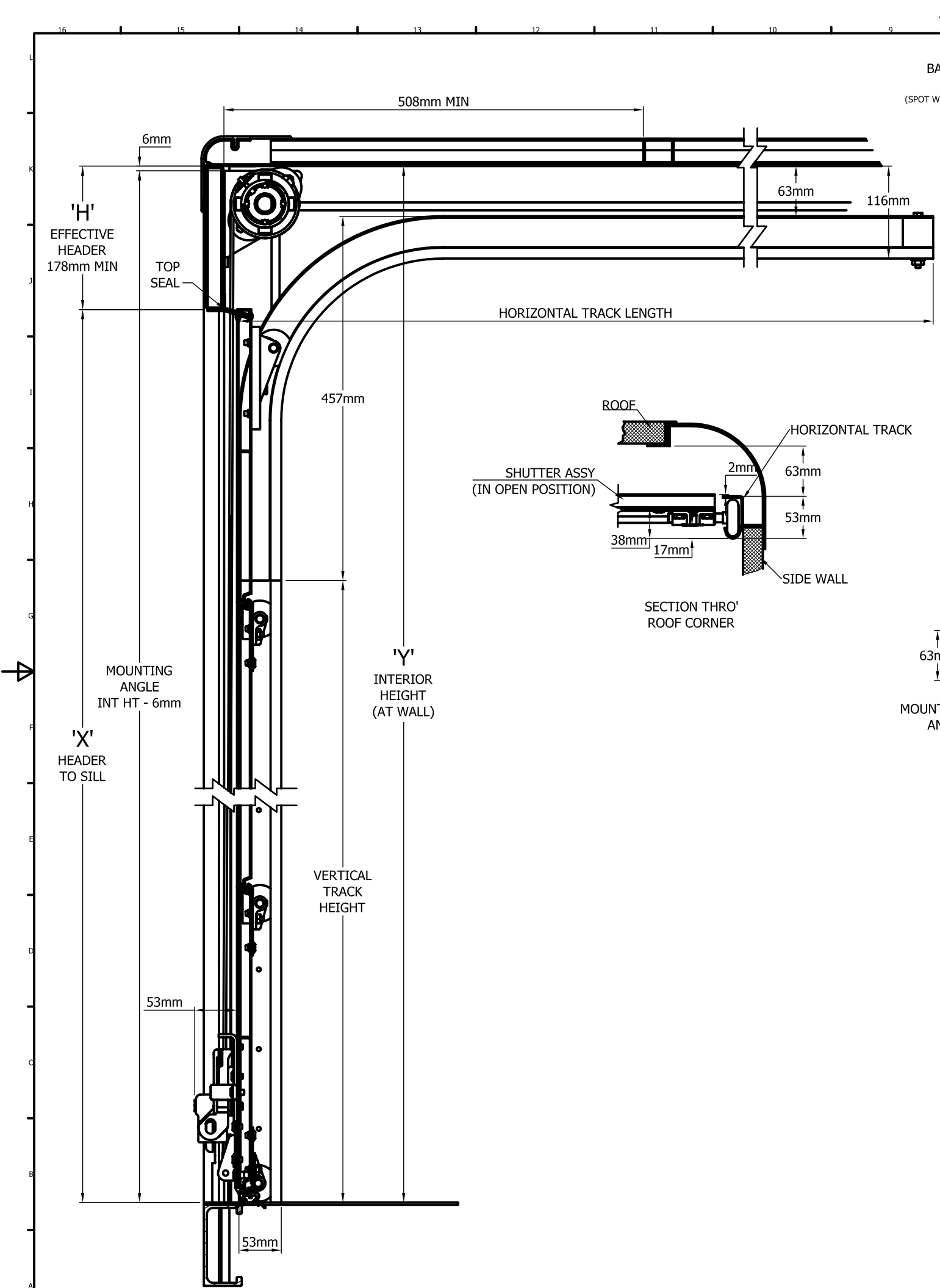
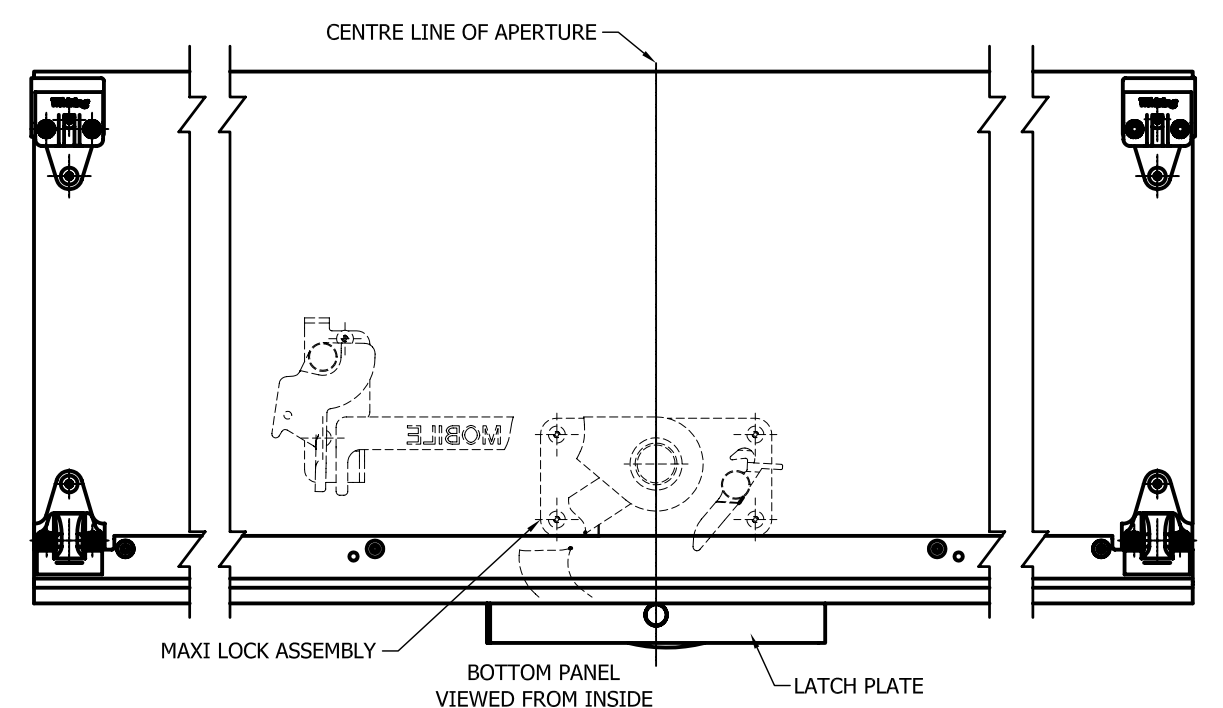
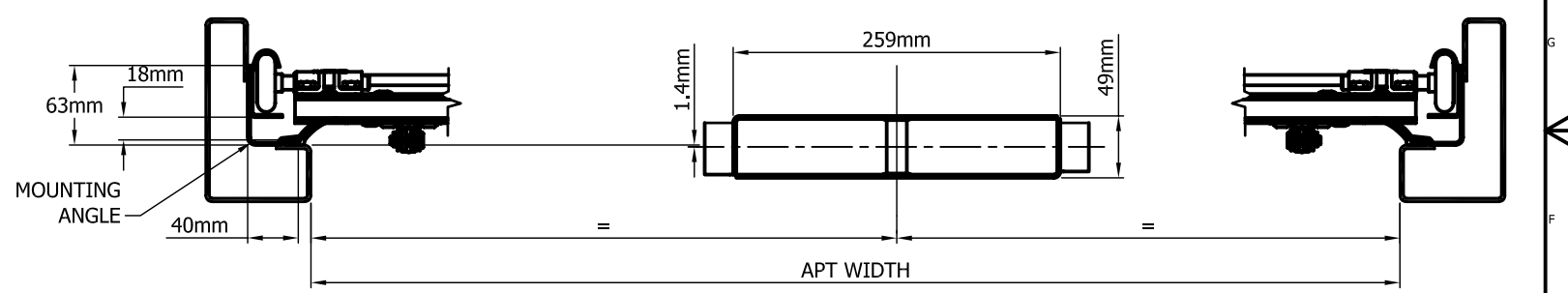


REV	DESCRIPTION	DATE	APPROVED
1	FIRST ISSUE	1/2/2008	
2	HORIZONTAL TRACK DIM CHANGED	05/02/2008	KEVIN HOPKINS



ITEM No	DESCRIPTION	PART NUMBER	FINISH COLOUR										
			SILVER	YELLOW	PINK	ORANGE	GREEN	BLUE	PURPLE	RED	GRN/ORG		
1	SPRING	771-0110100	-01	-02	-03	-04	-05	-06	-07	-08	-09		
2	CABLE DRUM R/H	771-011005302	1	1	1	1	1	1	1	1	1	1	1
3	CABLE DRUM L/H	771-011005301	1	1	1	1	1	1	1	1	1	1	1
4	SHAFT MILD STEEL	768-011001007	1	1	1	1	1	1	1	1	1	1	1
5	SPG ANCHOR PLUG	771-011005501	1	1	1	1	1	1	1	1	1	1	1
6	BEARING	771-011007401	1	1	1	1	1	1	1	1	1	1	1



UNLESS OTHERWISE SPECIFIED IF IN DOUBT ASK		DO NOT SCALE		DRAWN	KEVIN HOPKINS
SCALE	ANGLE	MATERIAL	FINISH COLOUR	PART NO.	
3rd ANGLE PROJECTION	AS SHOWN	AS SPECIFIED	AS SPECIFIED	REVERSE PART NO.	
ALL DIMENSIONS IN MM BEFORE SURFACE TREATMENT REMOVE ALL BURRS AND SHARP EDGES				OFFSIDE PART NO.	
				CUSTOMER	
				PROJECT	C4
j Industries GmbH				C 4 lite Maxi Lock	
A0				SCALE	NTS
				DRAWING NO.	2310007
				SHEET NO.	1 of 1